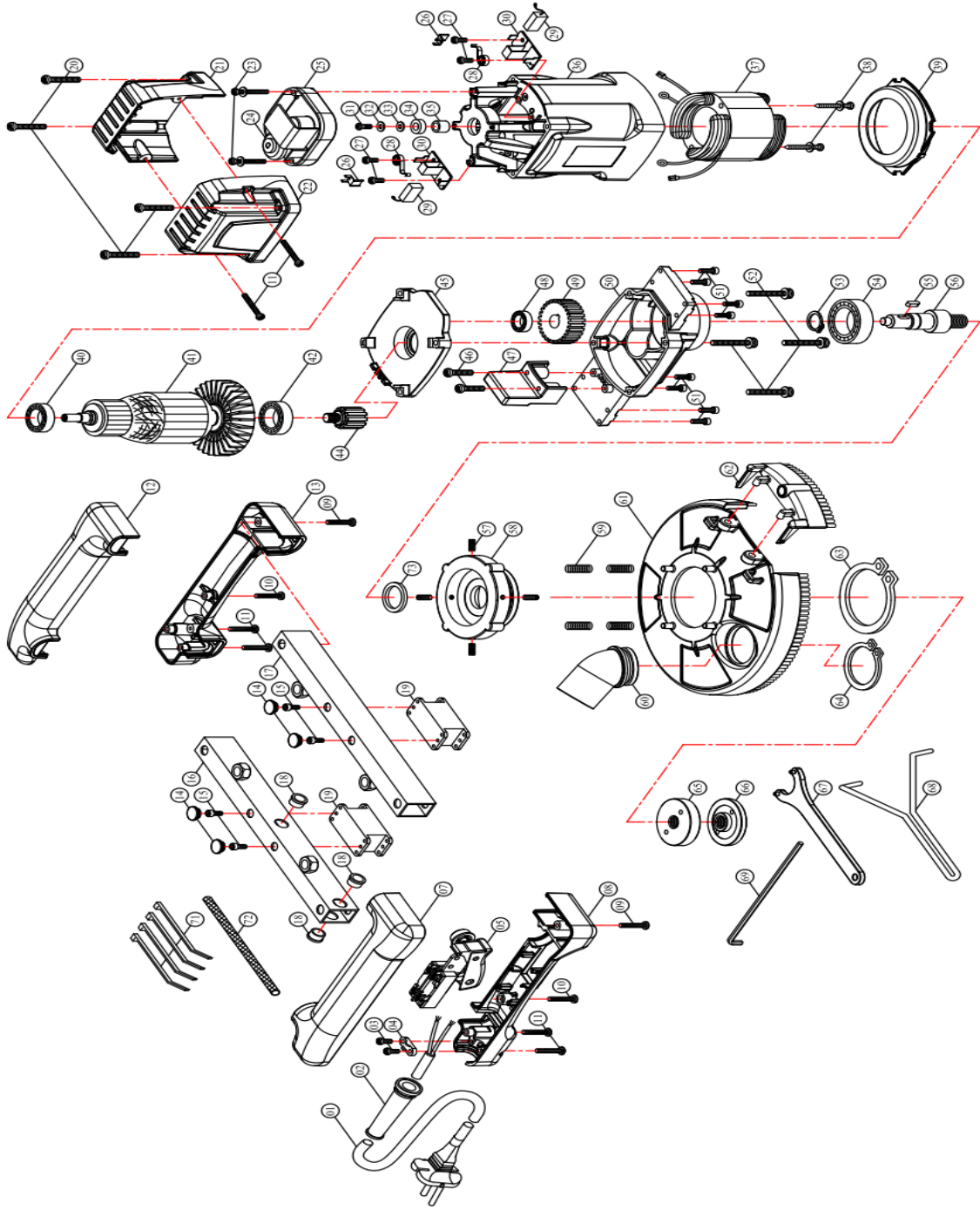


MODEL : SM7 CONCRETE GRINDER (AGP Europe) DATE : 2017.03.02 Version 1.0

	NO.	Parts Name	Q'TY
206-031502300-02	1.)	POWER SUPPLY CABLE (VDE-1.5x2Cx3M-H07RNF)	1
203-0004-00000-001	2.)	CORD ARMOR	1
403-M04014003-020	3.)	PANHEAD TAPPING SCREW-B (M4x14)	2
303-01003-004-001	4.)	CABLE CLIP	1
0299-0014-00004-012	5.)	TRIGGER SWITCH (LOCK-ON)	1
303-01001-004-012	7.)	HANDLE HALF-RIGHT (BLACK)	1
303-01001-004-013	8.)	HANDLE HALF-RIGHT (BLACK)	1
403-M04035003-020	9.)	PANHEAD TAPPING SCREW-B (M4x35)	2
403-M04020003-020	10.)	PANHEAD TAPPING SCREW-B (M4x20)	2
403-M04025003-020	11.)	PANHEAD TAPPING SCREW-B (M4x25)	6
303-01002-004-012	12.)	HANDLE HALF-LEFT (BLACK)	1
303-01002-004-013	13.)	HANDLE HALF-LEFT (BLACK)	1
305-03358-000-001	14.)	RUBBER PLUG	4
406-M04006070-050	15.)	SOCKET CAP SCREW (M4x6xP0.7)	4
302-04450-903-001	16.)	CROSS BAR LOWER	1
302-04450-903-002	17.)	CROSS BAR UPPER	1
305-03359-000-001	18.)	CABLE BUSHING	3
299-0178-00000-001	19.)	ANTI-VIBRATION MOUNT	2
403-M05035003-160	20.)	PANHEAD TAPPING SCREW-B (M5x35)	4
303-01008-004-018	21.)	MOTOR TAIL CASTING (BLACK)	1
303-01008-004-019	22.)	MOTOR TAIL CASTING (BLACK)	1
402-M04030003-020	23.)	PANHEAD TAPPING SCREW-B-W/WASHER (M4x30)	2
203-0010-00100-001	24.)	THUMB WHEEL (ORANGE-021C)	1
204-0004-22000-017	25.)	ELECTRONICS UNIT (220V)	1
305-00018-000-001	26.)	THREE WIRE PUSH IN CONNECTOR	2
403-M04010002-050	27.)	PANHEAD TAPPING SCREW-B (M4x10)	4
302-04009-000-005	28.)	BRUSH SPRING (0.35x4x4T)	2
305-00001-000-028	29.)	CARBON BRUSH (7x17x20)	2
307-02006-000-002	30.)	CARBON BRUSH HOLDER (7x17)	2
407-M04010070-050	31.)	PANHEAD MACHINE SCREW (M4x10xP0.7)	1
424-041010-10	32.)	FLAT WASHER (Ø4xØ10x1)	1
432-M04000-00	33.)	RUBBER WASHER (Ø4xØ11x1)	1
302-01007-000-002	34.)	PICKUP MAGNET (Ø8xØ15x5)	1
302-04018-901-001	35.)	SPACER (Ø8xØ12x10.5)	1
303-01251-026-015	36.)	MOTOR HOUSING (GRAY-RAL7014)	1
299-0002-20000-126	37.)	STATOR (220V-94x54x45)	1
402-M05060003-020	38.)	PANHEAD TAPPING SCREW-B-W/WASHER (M5x60)	2
303-01057-004-005	39.)	FAN BAFFLE (BLACK)	1
302-05514-000-008	40.)	BALL BEARING (6200)	1
299-0001-20000-150	41.)	ARMATURE (220V-94x54x45)	1
302-05516-000-002	42.)	BALL BEARING (6202)	1
302-06018-000-010	44.)	ARMATURE GEAR (M1.5x9T)	1
201-0003-00164-059	45.)	GEAR PLATE (RED-185C)	1
407-M04025070-050	46.)	PANHEAD MACHINE SCREW (M4x25xP0.7)	2
303-01215-004-002	47.)	HANDLE BRACKET (BLACK)	1
302-05502-000-001	48.)	BALL BEARING (608)	1
302-06008-000-052	49.)	OUTPUT GEAR (M1.5x29T)	1
201-0002-00026-086	50.)	GEAR HOUSING (GRAY-RAL7014)	1
406-M04012070-090	51.)	SOCKET CAP SCREW (M4x12xP0.7)	8
402-M05045003-020	52.)	PANHEAD TAPPING SCREW-B-W/WASHER (M5x45)	4
422-S17-0	53.)	EXTERNAL CIRCLIP (S-17)	1
302-05523-000-002	54.)	BALL BEARING (6303)	1
421-05012-10	55.)	PARALLEL KEY (5x5x12)	1
302-04003-000-138	56.)	SPINDLE (M8xP1.25-83.5MM)	1
404-M05012080-050	57.)	SOCKET SET SCREW (M5x12xP0.8)	4
203-0070-00000-004	58.)	WATER FEED COLLAR (BLACK)	1
302-04026-903-005	59.)	SPRING (Ø0.8xØ6.1xØ7.7x8Tx20L)	4
303-01082-004-004	60.)	DUST ATTACHMENT (BLACK)	1
203-0008-00164-001	61.)	SANDING PLATE COVER (RED-185C)	1
0299-0203-0004-002	62.)	HALF-MOON DOOR (BLACK)	1
422-S65-0	63.)	EXTERNAL CIRCLIP (S-65)	1
422-S40-0	64.)	EXTERNAL CIRCLIP (S-40)	1
302-04152-901-001	65.)	INNER FLANGE (M14)	1
302-04114-901-002	66.)	OUTER FLANGE (M14 / 22.2MM)	1
305-00039-901-001	67.)	LOCK NUT WRENCH (30MM)	1
302-04179-901-001	68.)	FACE SPANNER WRENCH (93MM)	1
305-00010-904-013	69.)	SOCKET HEX KEY (M6)	1
423-25100-2	71.)	ZIP TIE (2.5x100MM)	4
458-2	72.)	WIRE SLEEVE (Ø6)	1
308-03001-000-011	73.)	FELT OILER (Ø24xØ31.8x2.5)	1

**MODEL : SM7 CONCRETE GRINDER (AGP Europe)**



2017.03.02 NO.01~73 Version 1.0